



## **Rhinoplasty Society of Asia 2025 (RSA2025)**

in conjunction with

**The 48th Annual Meeting of Japan Society of Aesthetic Plastic Surgery  
(JSAPS48)**

**Sponsorship & Exhibition Prospectus**

## **General Information**

### **Congress Name**

Rhinoplasty Society of Asia 2025 (RSA2025)

in conjunction with

The 48th Annual Meeting of Japan Society of Aesthetic Plastic Surgery (JSAPS48)

### **Dates**

RSA2025: September 26 (Fri.) – 27 (Sat.), 2025

JSAPS48: September 25 (Thu.) – 26 (Fri.), 2025

### **Venue**

Toranomon Hills Forum

Mori Tower 5th Floor, 1-23-3 Toranomon, Minato-ku, Tokyo, 105-6305 Japan

<https://forum.academyhills.com/toranomon/en/access/>

### **President**

Yuzo Komuro, MD, PhD

Professor and Chairman, Department of Plastic Surgery, Teikyo University

### **Secretariat**

Department of Plastic Surgery, Teikyo University

### **URL**

<http://rhinoplastysociety.asia/>

### **Congress Secretariat**

E-mail: RSA2025@yours-g.co.jp

c/o YOURS Gakujutsu-Kikaku Co., Ltd

Yamate Bldg.,4-6-5 Higashinakano, Nakano-ku, Tokyo, 164-0003, Japan

TELEPHONE: +81-3-5937-1456, FACSIMILE: +81-3-5937-1457

## **Sponsorship Packages**

We are cordially inviting you to participate as a sponsor of the congress, to share your products and scientific information with the congress attendees. The major sponsors will be grouped into two categories; Diamond, and Gold. They will surely benefit from exceptional levels of exposure in the build-up to and throughout this high-profile event.

### **I. DIAMOND SPONSOR Sponsorship fee: JPY 1,650,000**

- 1) One Lunch Seminar  
Maximum 120 seats  
60 minutes, September 27 (Sat.), 2025  
\* Lunch box for the audience will be covered by the Congress.  
\* Honoraria, Travel Expenses, Accommodation for Chairpersons and Speakers should be covered by the sponsor.
- 2) Exhibit Space 2 units (1 unit = 1 booth: Width 1,800mm x Depth 900mm )
- 3) 3 free registrations to access the scientific program
- 4) Logo on website
- 5) Logo printed in Program Book

### **II. GOLD SPONSOR Sponsorship fee: JPY 1,100,000**

- 1) One Corporate Seminar  
Maximum 120 seats  
30 minutes, September 27 (Sat.), 2025  
\* Honoraria, Travel Expenses, Accommodation for Chairpersons and Speakers should be covered by the sponsor.
- 2) Exhibit Space 1 unit (1 unit = 1 booth: Width 1,800mm x Depth 900mm)
- 3) 2 free registrations to access the scientific program
- 4) Logo on website
- 5) Logo printed in Program Book

#### **The things not included in the sponsorship fee:**

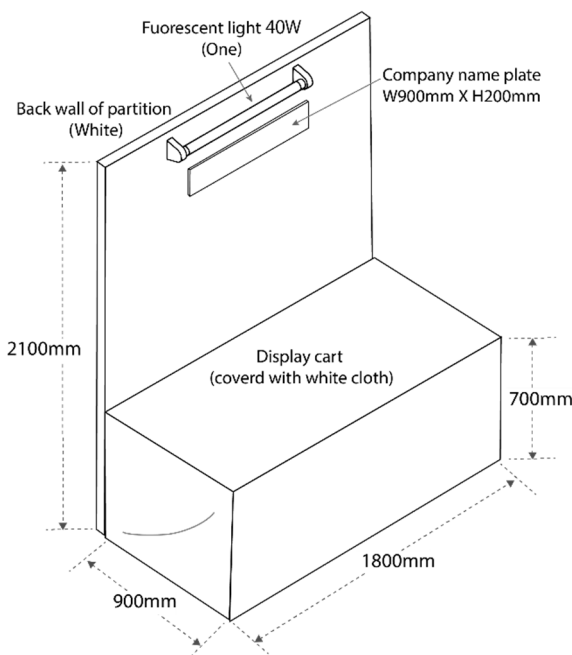
- (1) Honoraria/ Travel Expenses / Accommodation for Chairpersons and Speakers
- (2) Foods and beverages and equipment at the waiting room
- (3) Operational Expenses (e.g. Additional equipment, signage and decorations which are not arranged by the secretariat)
- (4) Printing materials like posters and brochures
- (5) Simultaneous interpreting services and equipment engineering

## Commercial Exhibition

There will be a commercial exhibition during RSA2025 Congress. By taking part as an exhibitor, your organization will benefit from extensive prolonged exposure to the delegates and will have a unique opportunity to showcase your products and services to the anticipated 150 Congress delegates

### Standard Booth

**JPY 165,000**



- 1) Exhibit Booth 1.62m<sup>2</sup>  
(1 Booth: Width 1,800mm x Depth 900mm)
- 2) 2 Exhibitor Badges
- 3) Listing in Program Book

\*The height of one unit includes all displays and ornaments, not exceeded 3m.

#### Note

- i. Above amount is the booth fee for Rhinoplasty Society of Asia 2025 (RSA2025) which will be held on September 27
- ii. Detailed Schedule for Installation & Dismantling will be informed when the timetable is finalized.
- iii. Exhibits include pharmaceutical drugs, medical equipments, nutritional products, medical publications, etc. All exhibits are subject to the approval of the Congress President.

#### 【Exhibition schedule (Tentative)】

Move in & set up	Friday, 26 September 2025, From 17:00
Dismantling & move out	Saturday, 27 September 2025, After 17:30
Exhibit hall times	Saturday, 27 September 2025, 9:00-17:30

## Sponsorship Application

Please apply from the society website below.

URL. <https://sgfm.jp/f/RSA2025>

## Sponsorship / booth cancellations

Notice of cancellation must be made in writing to the Exhibit Coordinator and received by the deadlines noted below to initiate a refund. All refunds are subject to a 20% handling fee.

### 【Cancellation fee】

By 30 April 2025 – 80% refund

By 31 July 2025 – 50% refund

After 1 August 2025 – no refund

## Payment Details

Payment of 100% on booking. All payments must be made in full 14 days after the receipt of the invoice, via bank transfer payable to

Beneficiary Bank:	MUFG BANK,LTD
SWIFT code /BIC code:	BOTKJPJT
Branch Name:	Teikyoudai Byouin Sub-Branch
	*Address: 2-11-1, Kaga, Itabashi-ku, Tokyo, Japan
Beneficiary Account Number:	0223643
Beneficiary Name:	The 48th Annual Meeting of Japan Society of Aesthetic Plastic Surgery

The specific terms and conditions of sponsoring or exhibiting are included in this prospectus. Please note that the signature of the Sponsor/Exhibitor Application Form indicates acceptance of these terms and conditions. This application cannot be accepted without signature of an authorized agent of the exhibitor.

## Congress Secretariat

E-mail: [RSA2025@yours-g.co.jp](mailto:RSA2025@yours-g.co.jp)  
c/o YOURS Gakujutsu-Kikaku Co., Ltd

