

The 48th Annual Meeting of Japan Society of Aesthetic Plastic Surgery
(JSAPS48)

in conjunction with Rhinoplasty Society of Asia 2025 (RSA2025)

Commercial Exhibition Prospectus

Dates

September 25 (Thu.) – 26 (Fri.), 2025

*RSA2025: September 26 (Fri.) – 27 (Sat.), 2025

Venue

Toranomon Hills Forum
(Tokyo)

President

Yuzo Komuro, MD, PhD
Department of Plastic Surgery, Teikyo University

Greetings

Dear everyone involved,

I am pleased to announce as President, the 48th Annual Meeting of Japan Society of Aesthetic Plastic Surgery, that the 48th Annual General Meeting and 154th Scientific Meeting of the Japanese Society of Aesthetic Plastic Surgery will be held on Thursday 25th and Friday 26th September 2025, at Toranomon Hills Forum, the same with the Rhinoplasty Society of Asia 2025 which will be held at on Saturday 27th September 2025.

The theme the meeting is "Outer Beauty, Inner Confidence." Aesthetic surgery is one of medical cares, by which, we aim to provide the patients not only with improvement of appearance, but also with regain of their self-confidence.

Currently, the society has over 1,500 members, and this annual meeting is expected to be attended by more than 1,100 healthcare professionals involved in aesthetic medicine. We would like to invite the industries involved in this field for this excellent opportunity for public relations and marketing activities.

We are confident that your participation in sponsorship of commercial exhibition would be of some help to raise the profile of your industry and marketing.

September 2024

Yuzo Komuro, MD, PhD

President, The 48th Annual Meeting of Japan Society of Aesthetic Plastic Surgery

Professor and Chair, Department of Plastic Surgery, Teikyo University

General Information

Congress Name

The 48th Annual Meeting of Japan Society of Aesthetic Plastic Surgery (JSAPS48)
in conjunction with Rhinoplasty Society of Asia 2025 (RSA2025)

Dates

September 25 (Thu.) – 26 (Fri.), 2025

*RSA: September 26 (Fri.) – 27 (Sat.), 2025

Venue

Toranomon Hills Forum

Mori Tower 5th Floor, 1-23-3 Toranomom, Minato-ku, Tokyo, Japan

<https://forum.academyhills.com/toranomon/en/index.html>

President

Yuzo Komuro, MD, PhD

Department of Plastic Surgery, Teikyo University

Expected number of participants

Approximately 1,200

Overview of the scientific program

[Main theme]	Outer Beauty, Inner Confidence
[Sessions]	Special lectures, Educational lectures, Symposia, Panel discussions, General presentations (oral and poster presentations), Co-sponsored seminars, etc.
[Other]	Commercial exhibitions

URL

<https://jsaps48.jp>

Secretariat

Department of Plastic Surgery, Teikyo University

Conference Secretariat

The 48th Annual Meeting of Japan Society of Aesthetic Plastic Surgery

E-mail: jsaps48@yours-g.co.jp

FAX: +81-3-5937-1457

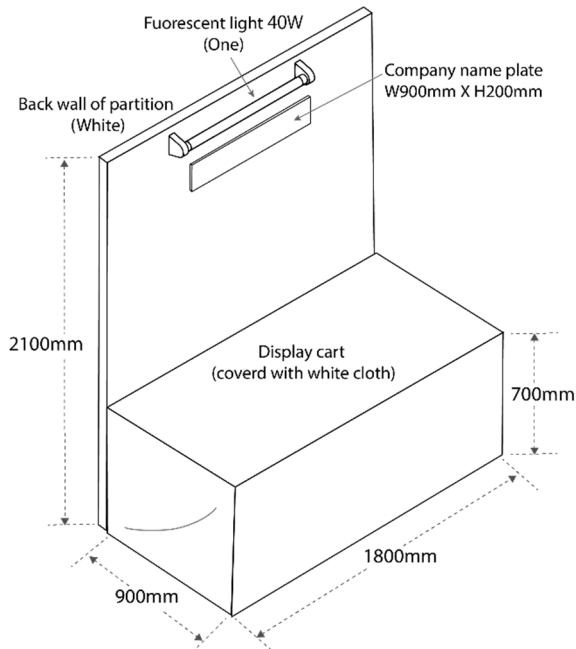
c/o YOURS Gakujutsu-Kikaku Co., Ltd

Yamate Bldg., 4-6-5 Higashinakano, Nakano-ku, Tokyo, 164-0003, Japan

Commercial Exhibition

Standard Booth (1booth)

JPY 396,000



- 1) Exhibit Booth 1.62m²
(1 Booth: Width 1,800mm x Depth 900mm)
- 2) 2 Exhibitor Badges
- 3) Listing in Program Book

*The height of one unit includes all displays and ornaments, not exceeded 3m.

Standard booths are as follows (tentative)

- A back panel and exhibition table (width 1,800mm x depth 900mm x height 2,100mm (with white cloth).
- One company name board (1,200mm wide x 200mm high) per company.
- * Exhibitors will be responsible for all decorations, electrical wiring, etc. other than those mentioned above.

Space only (1 Unit)

JPY 396,000

- 1) Exhibit space 1.62m² (1 space: Width 1,800mm x Depth 900mm)
- 2) **Space only. Required to be applied for 4 units or more.**
- 3) No basic booth. Booth construction and decorations are on the sponsors responsibility.

*The height of one unit includes all displays and ornaments, not exceeded 3 meters.

Benefits

- 1) 2 Exhibitor Badges
- 2) Listing in Program Book

Note about Commercial Exhibition

- i. Above amount is the booth fee for the 48th Annual Meeting of Japan Society of Aesthetic Plastic Surgery (JSAPS48) which will be held on September 25-26.
- ii. Detailed Schedule for Installation & Dismantling will be informed when the timetable is finalized.
- iii. Exhibits include pharmaceutical drugs, medical equipment, nutritional products, medical publications, etc. All exhibits are subject to the approval of the Congress President

Application

Please apply from the society website below.

URL. Commercial Exhibition Prospectus
<https://jsaps48.jp/en/exhibition.html>

Application deadline: Wednesday, May 14, 2025

*Applications for commercial exhibits will be accepted on a first-come, first-served basis, and will close as soon as the planned number of booths is reached.

Cancellations

Notice of cancellation must be made in writing to the Exhibit Coordinator and received by the deadlines noted below to initiate a refund. All refunds are subject to a 20% handling fee.

【Cancellation fee】 By 30 April 2025 – 80% refund
By 31 June 2025 – 50% refund
After 1 July 2025 – no refund

Payment Details

Payment of 100% on booking. All payments must be made in full 30 days after the receipt of the invoice, via bank transfer payable to

Beneficiary Bank: MUFG BANK,LTD
SWIFT code /BIC code: BOTKJPJT ※11桁の場合 : BOTKJPJT XXX
Branch Name: Teikyoudai Byouin Sub-Branch
*Address: 2-11-1, Kaga, Itabashi-ku, Tokyo, Japan
Beneficiary Account Number: 0223643
Beneficiary Name: The 48th Annual Meeting of Japan Society of
Aesthetic Plastic Surgery

Information Disclosure

The Society agrees that each company will disclose information on its website etc. regarding the expenses incurred by each company for this Society (co-hosting fees, exhibition fees, advertising fees, food and beverage expenses, etc.) in accordance with the Japan Pharmaceutical Manufacturers Association's "Guidelines for Transparency in the Relationship between Corporate Activities and Medical Institutions, etc." and the Japan Federation of Medical Device Associations' "Transparency Guidelines for Medical Institutions, etc. in the Medical Device Industry."

Please note that we will refrain from stamping or signing a separate consent form.

Congress Secretariat

The 48th Annual Meeting of Japan Society of Aesthetic Plastic Surgery

E-mail: jsaps48@yours-g.co.jp / FAX: +81-3-5937-1457

c/o YOURS Gakujutsu-Kikaku Co., Ltd

Yamate Bldg.,4-6-5 Higashinakano, Nakano-ku, Tokyo, 164-0003, Japan